

Lathe Kit

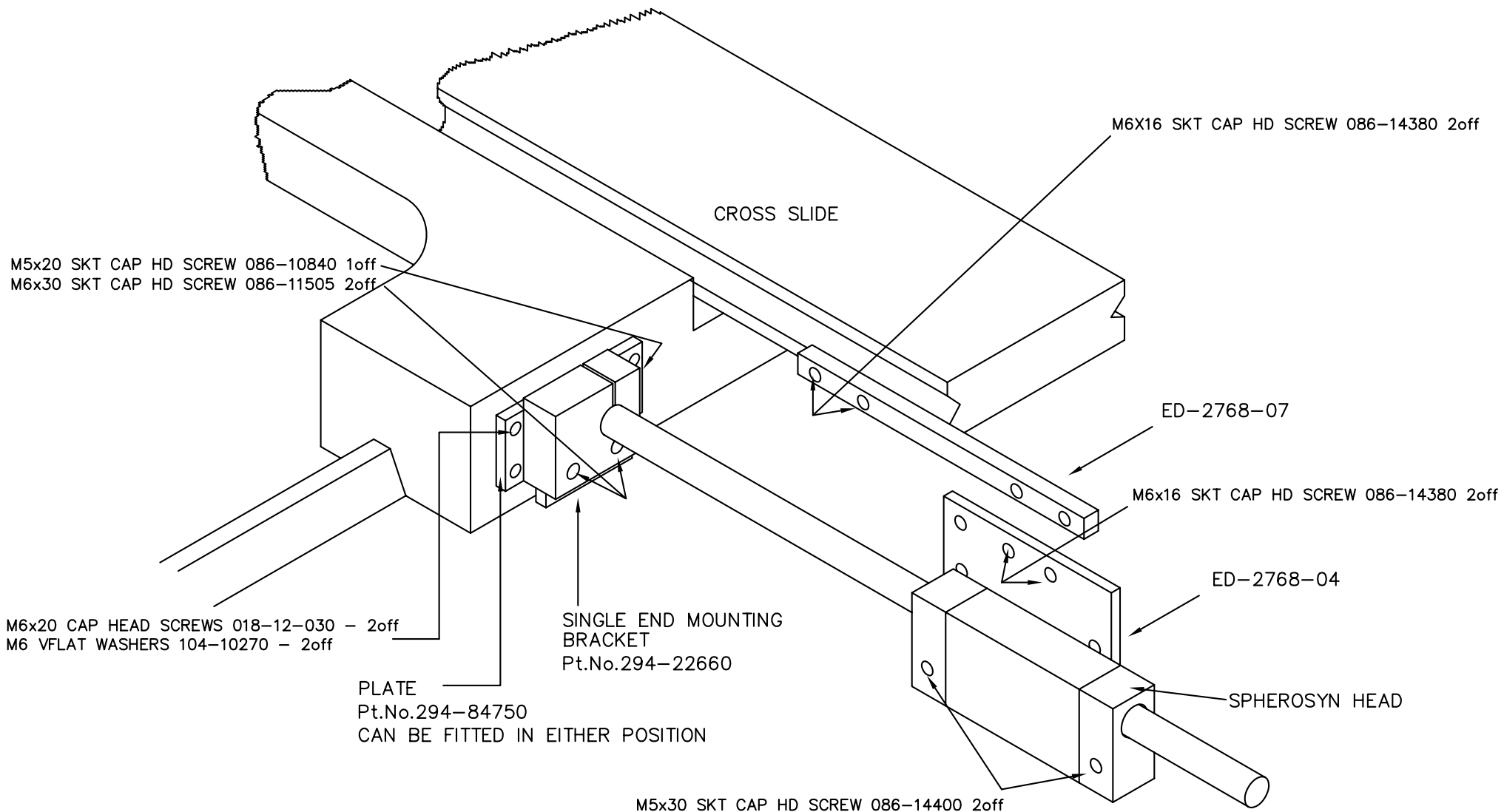
Spherosyn Single End Saddle Rear / Spherosyn Bed Axis

600-61300

Drawings
316-22200
316-21950

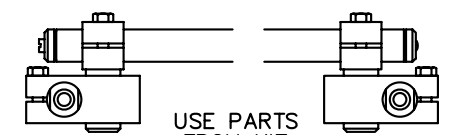
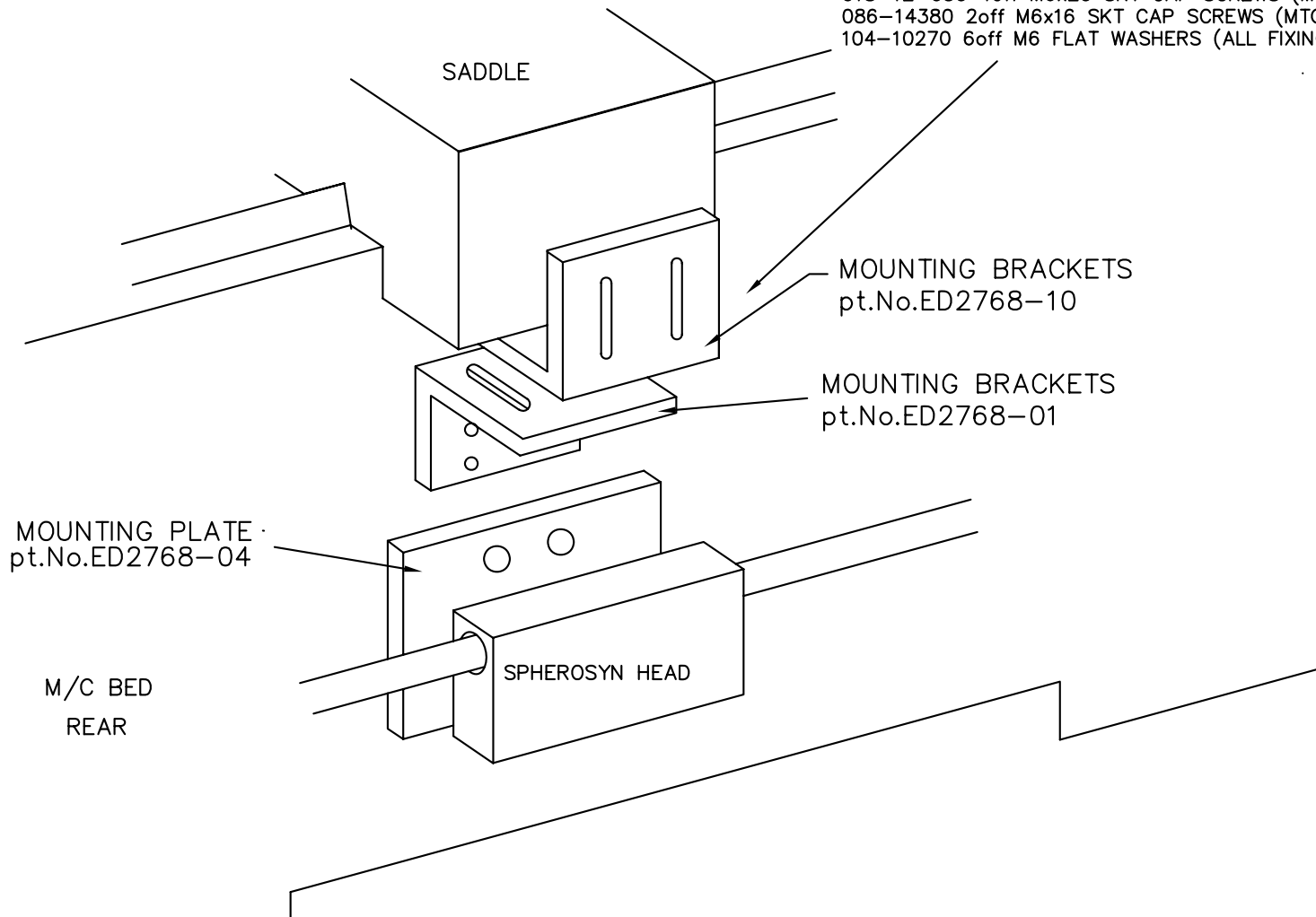
DRAWING NUMBER 316-22200 REV. ISS. 2

DO NOT SCALE -  THIRD ANGLE PROJECTION IF IN DOUBT ASK




				TITLE. SPHEROSYN LATHE SADDLE REAR ASSEMBLY		MATERIAL/FINISH.		SCALE		UNLESS OTHERWISE STATED:-		TOLERANCES:- 0 DECIMAL PLACES ±0.5 1 DECIMAL PLACE ±0.2 2 DECIMAL PLACES ±0.1 ANGULAR ±1°	
2	1-8-03	ECN8258	SCREW QUANTITIES CHNAGED	CW			/		DIMENSIONS ARE IN M.M.				
1	31-10-02	ECN8173	PLATE 294-84750 ADDED.	JFD	DRAWN J.DRIVER	00/00/92	NEWALL		SHEET 1 of 1		DRAWING NUMBER 316-22200		REV. ISS. 2
REV.ISS.	DATE	C.N.No.	ALTERATION	CHECKED	APPROVED		Leicester England		THIS DRAWING IS THE PROPERTY OF NEWALL MEASUREMENT SYSTEMS LIMITED. THE INFORMATION THEREON MAY NOT BE COPIED OR USED WITHOUT WRITTEN PERMISSION		SHEET NUMBER		

- 086-14400 2off M5x30 SKT CAP SCREWS (HEAD FXG TO MTG PLATE)
- 018-12-030 4off M6x20 SKT CAP SCREWS (MTG BRKT TO M/C SADDLE & MTG BRKTS TOGETHER)
- 086-14380 2off M6x16 SKT CAP SCREWS (MTG BRKT TO MOUNTING PLATE)
- 104-10270 6off M6 FLAT WASHERS (ALL FIXINGS)



USE PARTS FROM KIT Pt.No.600-66810

SCALE END MTG. DETAILS

				TITLE. LATHE M/C BED AXIS ASSY. SPHEROSYN		MATERIAL/FINISH.		SCALE		UNLESS OTHERWISE STATED: - TOLERANCES: - 0 DECIMAL PLACES ±0.5 1 DECIMAL PLACE ±0.2 2 DECIMAL PLACES ±0.1 ANGULAR ±1'		
2	29-11-02	E8178	600-66810 was 600-42760	JFD					DIMENSIONS ARE IN M.M.			
1	18-3-98	E3036	ED-2768-01 1off NOW AND ADDED ED-2768-10	MM	DRAWN J.DRIVER	CHECKED	31/03/95	SHEET		DRAWING NUMBER	316-21950	REV. ISS. 2
REV. ISS. DATE C.N. ALTERATION				APPROVED		Leicester  England		THIS DRAWING IS THE PROPERTY OF NEWALL MEASUREMENT SYSTEMS LIMITED. THE INFORMATION THEREON MAY NOT BE COPIED OR USED WITHOUT WRITTEN PERMISSION		OF		