

## Lathe Kit

Microsyn Single End Cross Slide / Spherosyn Bed Axis

---

**600-65500**

Drawings

316-24580

316-24450

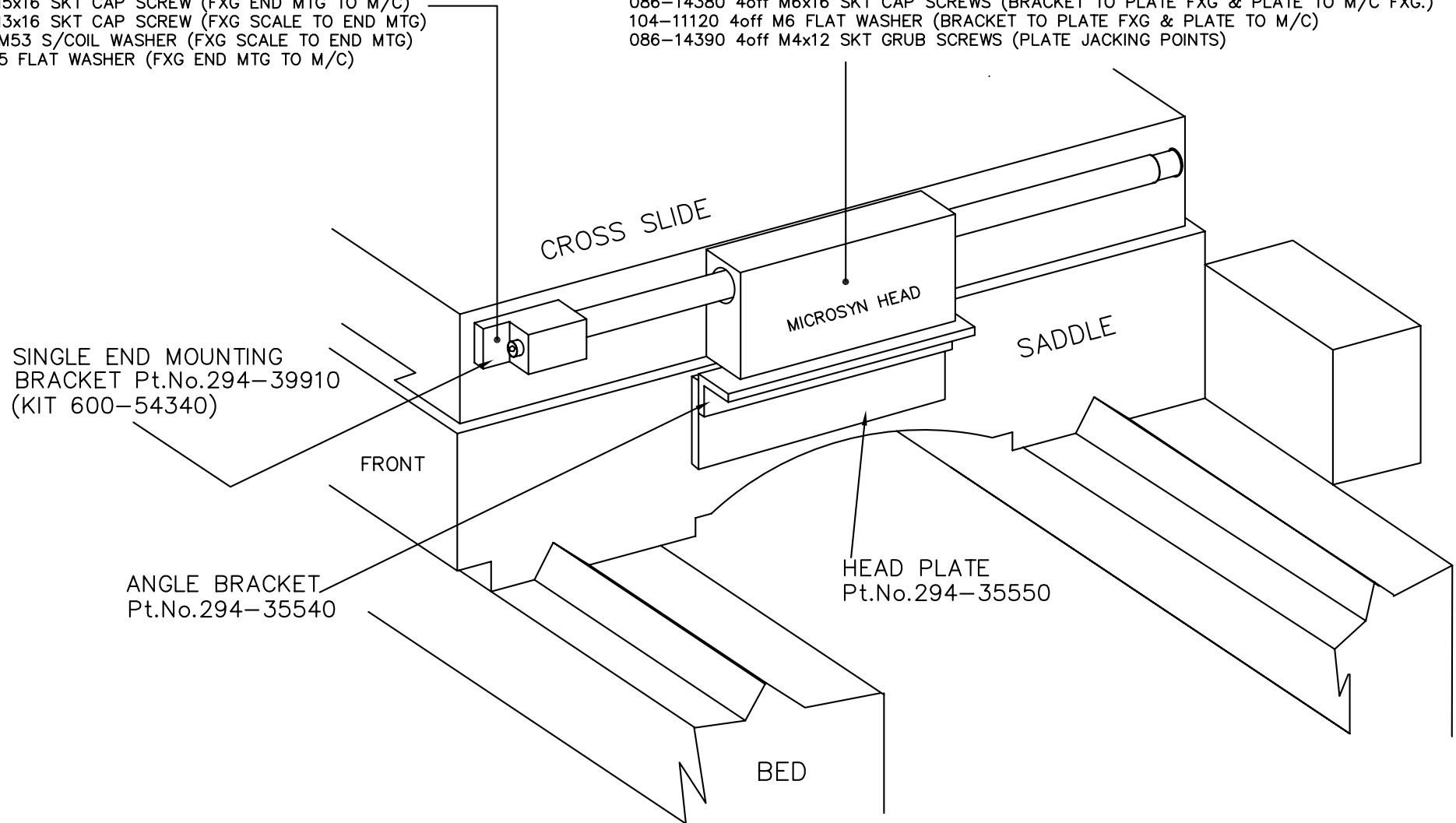
316-21950

DRAWING NUMBER 316-24580 REV. ISS. 0

DO NOT SCALE -  THIRD ANGLE PROJECTION IF IN DOUBT ASK

- 086-14030 4off M3x8 SKT GRUB SCREWS (JACKING POINTS)
- 086-14290 1off M5x16 SKT CAP SCREW (FXG END MTG TO M/C)
- 086-14870 1off M3x16 SKT CAP SCREW (FXG SCALE TO END MTG)
- 104-100700 1off M53 S/COIL WASHER (FXG SCALE TO END MTG)
- 104-10190 1off M5 FLAT WASHER (FXG END MTG TO M/C)

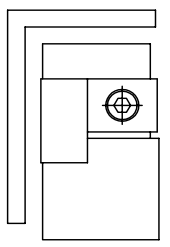
- 086-14080 2off M4x10 CAP HD SCREWS (HEAD FXG TO BRACKET)
- 104-10110 2off M4 FLAT WASHER (HEAD FXG TO BRACKET)
- 086-14380 4off M6x16 SKT CAP SCREWS (BRACKET TO PLATE FXG & PLATE TO M/C FXG.)
- 104-11120 4off M6 FLAT WASHER (BRACKET TO PLATE FXG & PLATE TO M/C)
- 086-14390 4off M4x12 SKT GRUB SCREWS (PLATE JACKING POINTS)



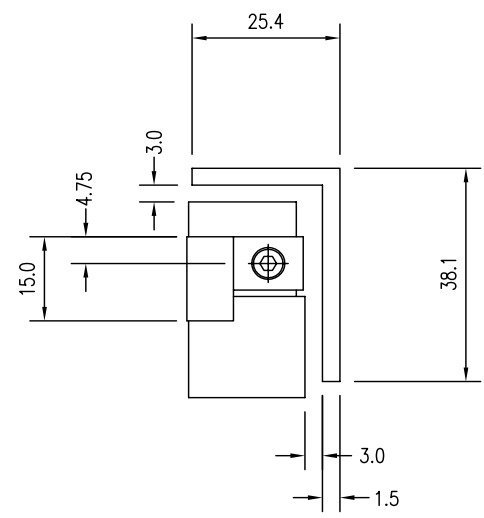
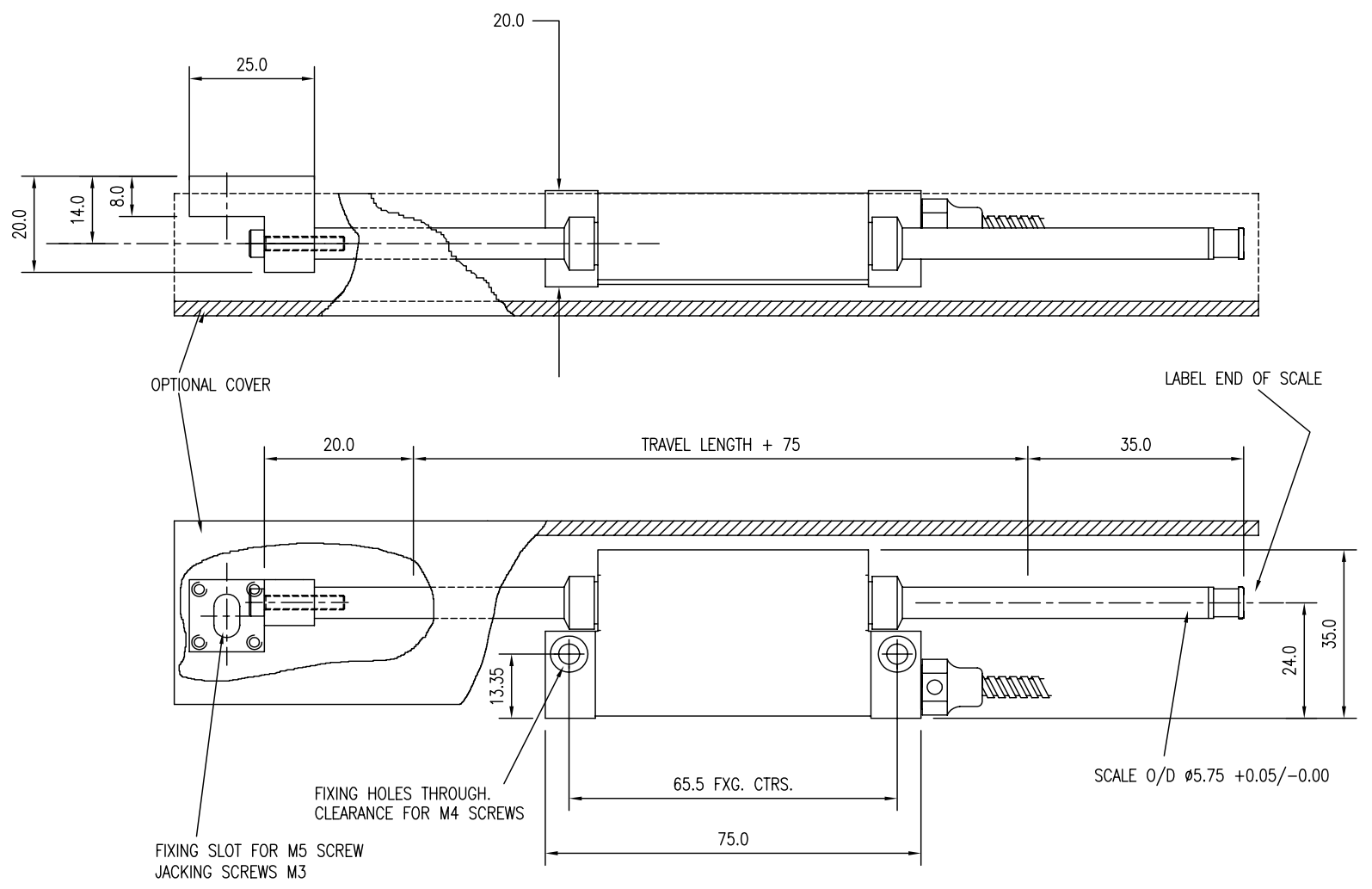
		TITLE. LATHE M/C CROSS SLIDER		MATERIAL/FINISH.		SCALE		UNLESS OTHERWISE TOLERANCES: - 0 DECIMAL PLACES ±0.5			
		AXIS ASSY. MICROSYN MK2 (UK)						STATED: - 1 DECIMAL PLACE ±0.2			
								DIMENSIONS ARE IN M.M. 2 DECIMAL PLACES ±0.1			
								ANGULAR ±1'			
REV. ISS.	DATE	C.N.No	ALTERATION	DRAWN	M.MISTRY	28/8/98	 <p>THIS DRAWING IS THE PROPERTY OF NEWALL MEASUREMENT SYSTEMS LIMITED. THE INFORMATION THEREON MAY NOT BE COPIED OR USED WITHOUT WRITTEN PERMISSION</p>	SHEET	DRAWING	316-24580	REV. ISS. 0
				CHECKED				OF	NUMBER		
				APPROVED							

DRAWING NUMBER 316-24450 REV. ISS. 1

DO NOT SCALE  THIRD ANGLE PROJECTION IF IN DOUBT ASK



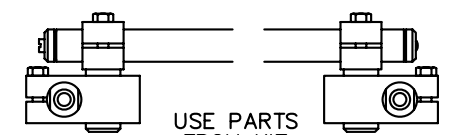
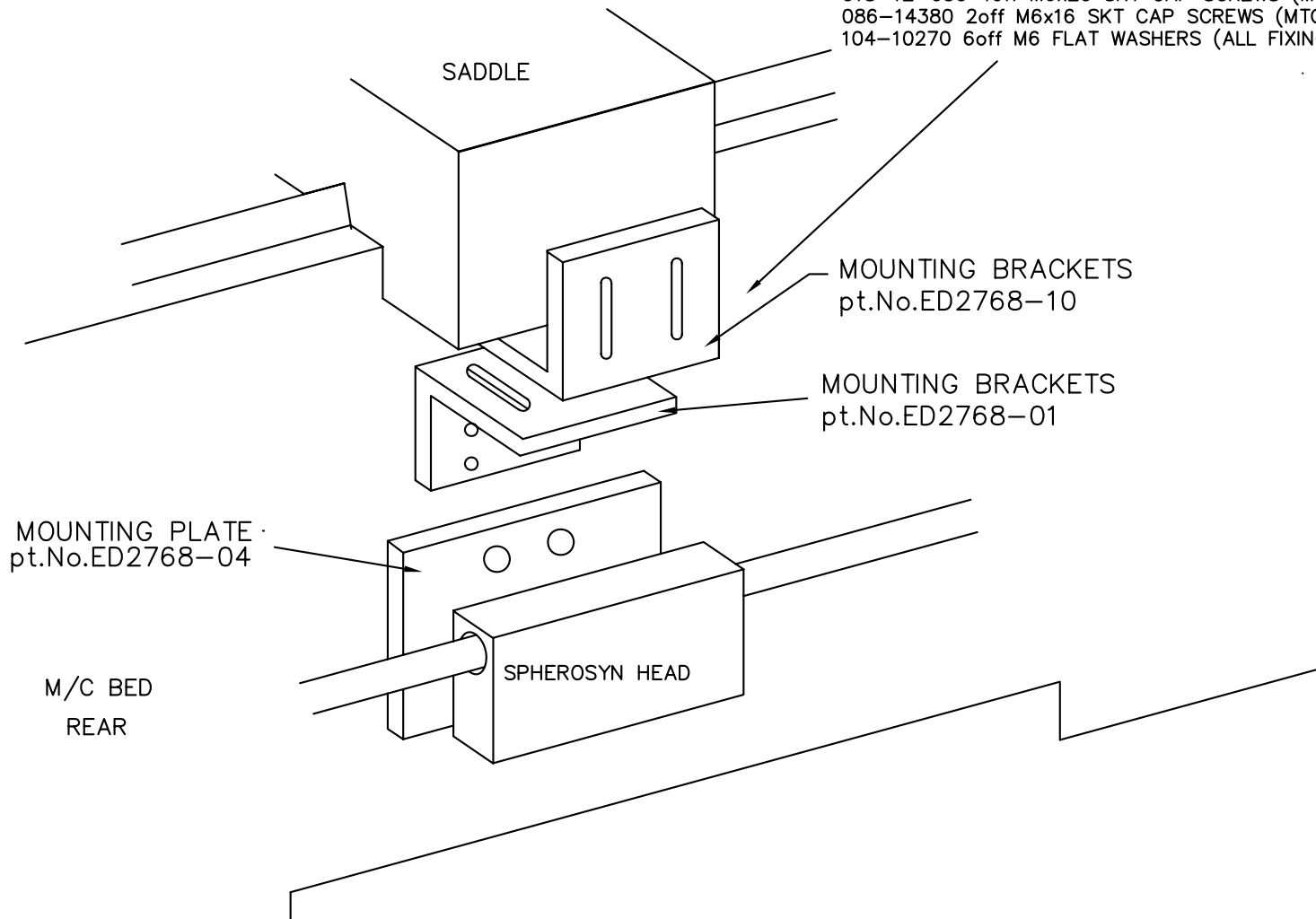
ALTERNATIVE COVER MOUNTING POSITION



NOTE:- MAXIMUM OVERALL SCALE LENGTH 250mm


				TITLE: <i>MICROSYN MK2 SCALE END MOUNTING</i>		MATERIAL/FINISH.		SCALE 1=1	UNLESS OTHERWISE STATED:- DIMENSIONS ARE IN M.M.	TOLERANCES:- 0 DECIMAL PLACES ±0.5 1 DECIMAL PLACE ±0.2 2 DECIMAL PLACES ±0.1 ANGULAR ±1°		
1	ECN8143	9-7-02	NEW LABEL ADDED	CW	DRAWN M.MISTRY	8/7/98	 England	SHEET 1 of 1	DRAWING NUMBER	316-24450	REV. ISS.	1
REV.ISS.	DATE	C.N.No.	ALTERATION	CHECKED	APPROVED	THIS DRAWING IS THE PROPERTY OF NEWALL MEASUREMENT SYSTEMS LIMITED. THE INFORMATION THEREON MAY NOT BE COPIED OR USED WITHOUT WRITTEN PERMISSION						

- 086-14400 2off M5x30 SKT CAP SCREWS (HEAD FXG TO MTG PLATE)
- 018-12-030 4off M6x20 SKT CAP SCREWS (MTG BRKT TO M/C SADDLE & MTG BRKTS TOGETHER)
- 086-14380 2off M6x16 SKT CAP SCREWS (MTG BRKT TO MOUNTING PLATE)
- 104-10270 6off M6 FLAT WASHERS (ALL FIXINGS)



USE PARTS FROM KIT Pt.No.600-66810

SCALE END MTG. DETAILS

				TITLE. LATHE M/C BED AXIS ASSY. SPHEROSYN		MATERIAL/FINISH.		SCALE		UNLESS OTHERWISE STATED: - TOLERANCES: - 0 DECIMAL PLACES ±0.5 1 DECIMAL PLACE ±0.2 2 DECIMAL PLACES ±0.1 ANGULAR ±1'	
2	29-11-02	E8178	600-66810 was 600-42760	JFD					DIMENSIONS ARE IN M.M.		
1	18-3-98	E3036	ED-2768-01 1off NOW AND ADDED ED-2768-10	MM	DRAWN J.DRIVER	31/03/95	SHEET OF		DRAWING NUMBER 316-21950		REV. ISS. 2
REV.ISS.	DATE	C.N.	ALTERATION	CHECKED	APPROVED	Leicester  England		THIS DRAWING IS THE PROPERTY OF NEWALL MEASUREMENT SYSTEMS LIMITED. THE INFORMATION THEREON MAY NOT BE COPIED OR USED WITHOUT WRITTEN PERMISSION			