

Lathe Kit

Microsyn Cross Slide / Spherosyn Bed Axis

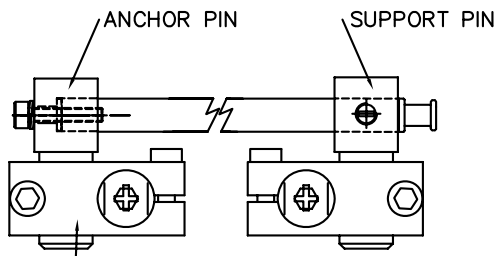
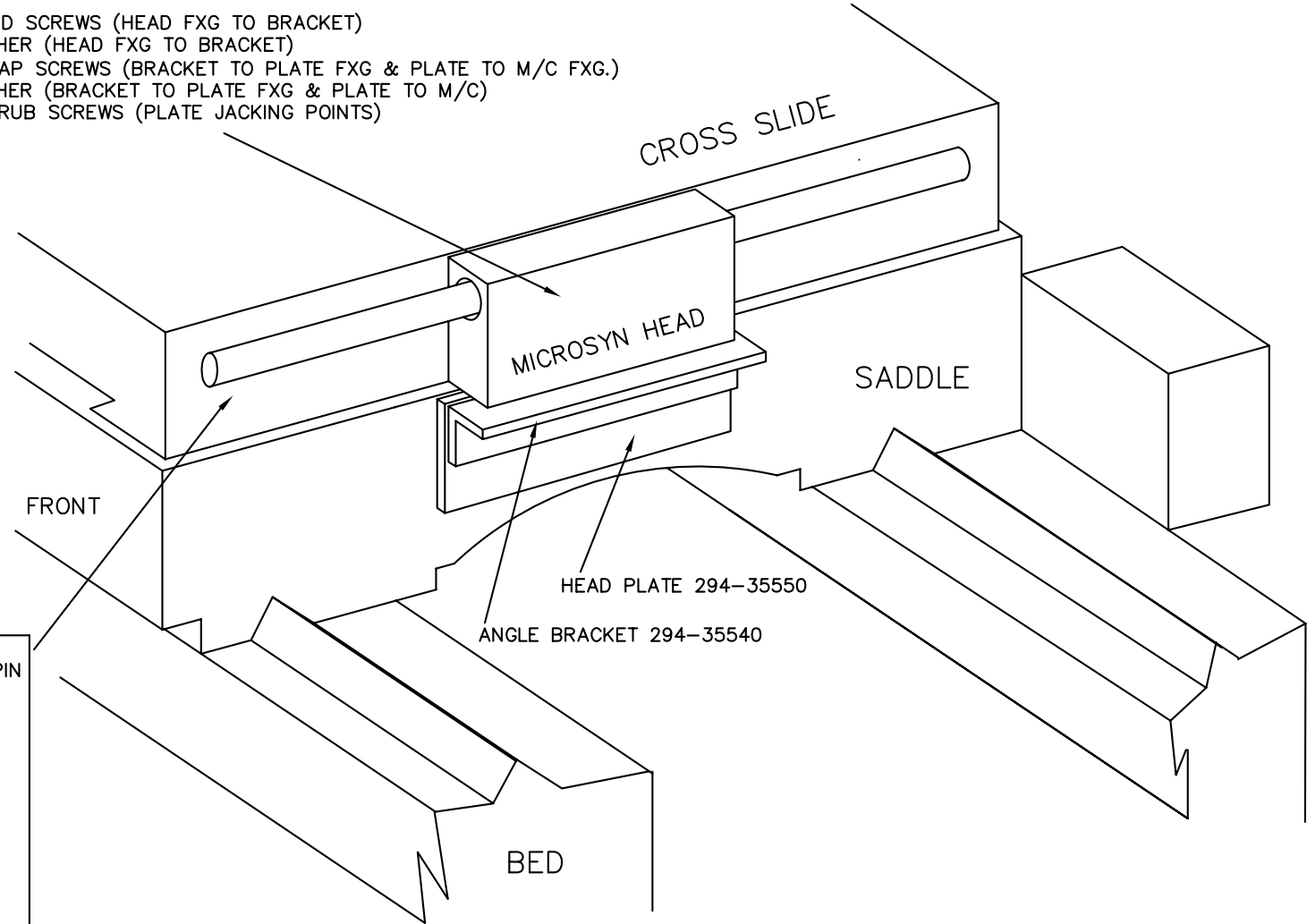
600-65520

Drawings
316-24600
316-21950

DRAWING NUMBER 316-24600 REV. ISS. 0

DO NOT SCALE -  THIRD ANGLE PROJECTION IF IN DOUBT ASK

- 086-14080 2off M4x10 CAP HD SCREWS (HEAD FXG TO BRACKET)
- 104-10110 2off M4 FLAT WASHER (HEAD FXG TO BRACKET)
- 086-14380 4off M6x16 SKT CAP SCREWS (BRACKET TO PLATE FXG & PLATE TO M/C FXG.)
- 104-11120 4off M6 FLAT WASHER (BRACKET TO PLATE FXG & PLATE TO M/C)
- 086-14390 4off M4x12 SKT GRUB SCREWS (PLATE JACKING POINTS)

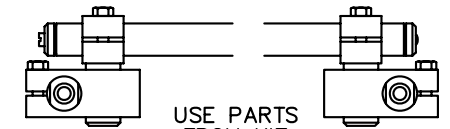
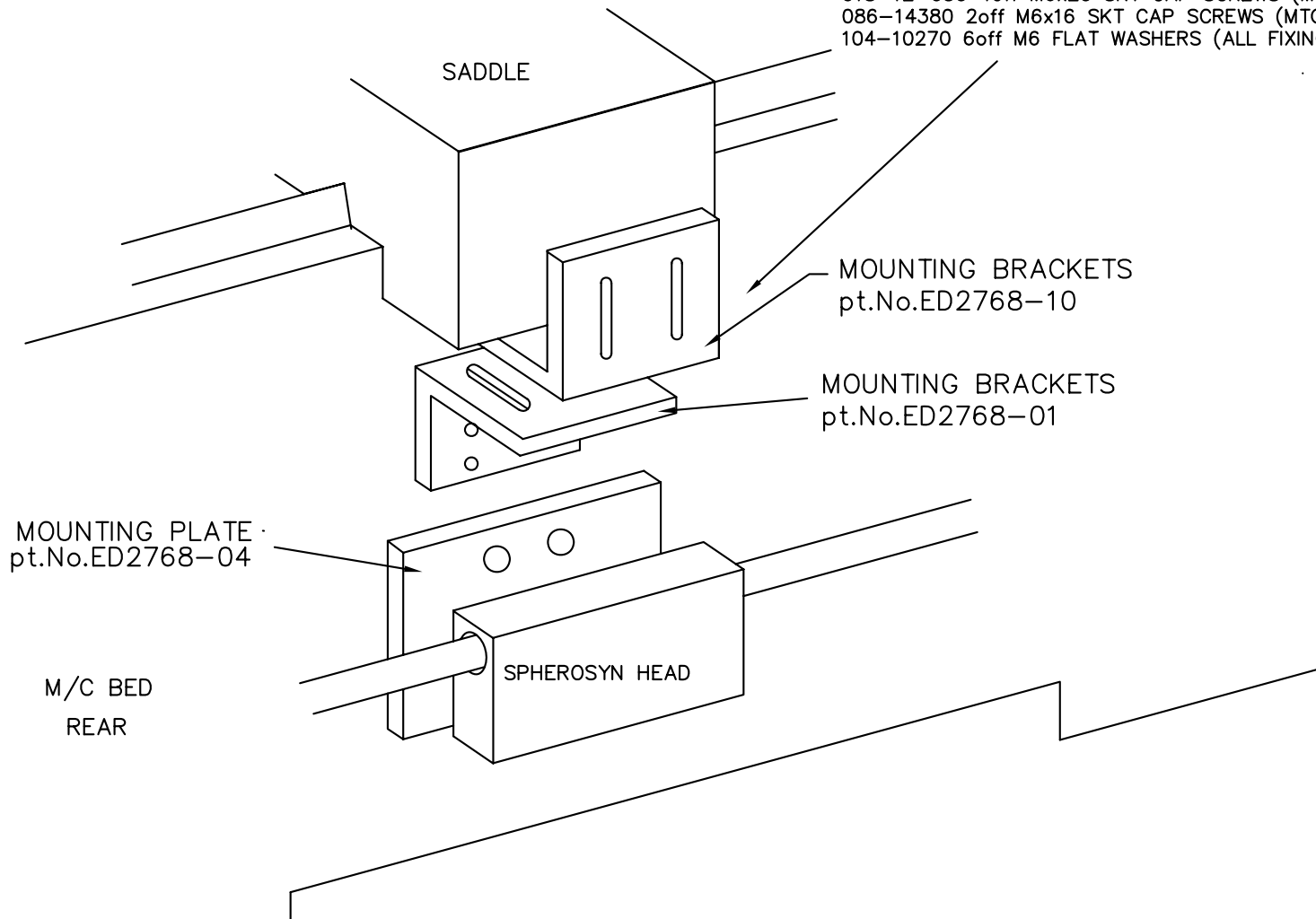


SUPPORT LINK
USE PARTS FROM KIT
Pt.No.600-65320

SCALE END MTG. DETAILS (BOTH ENDS)


REV. ISS. DATE C.N. NO. ALTERATION		DRAWN M. MISTRY 28/8/98		MATERIAL/FINISH.		SCALE		UNLESS OTHERWISE STATED:- DIMENSIONS ARE IN M.M.		TOLERANCES:- 0 DECIMAL PLACES ±0.5 1 DECIMAL PLACE ±0.2 2 DECIMAL PLACES ±0.1 ANGULAR ±1°	
		CHECKED		Leicester		SHEET OF		DRAWING NUMBER 316-24600		REV. ISS. 0	
		APPROVED		newall England		THIS DRAWING IS THE PROPERTY OF NEWALL MEASUREMENT SYSTEMS LIMITED. THE INFORMATION THEREON MAY NOT BE COPIED OR USED WITHOUT WRITTEN PERMISSION					

- 086-14400 2off M5x30 SKT CAP SCREWS (HEAD FXG TO MTG PLATE)
- 018-12-030 4off M6x20 SKT CAP SCREWS (MTG BRKT TO M/C SADDLE & MTG BRKTS TOGETHER)
- 086-14380 2off M6x16 SKT CAP SCREWS (MTG BRKT TO MOUNTING PLATE)
- 104-10270 6off M6 FLAT WASHERS (ALL FIXINGS)



USE PARTS FROM KIT Pt.No.600-66810

SCALE END MTG. DETAILS

				TITLE. LATHE M/C BED AXIS ASSY. SPHEROSYN		MATERIAL/FINISH.		SCALE		UNLESS OTHERWISE STATED: - TOLERANCES: - 0 DECIMAL PLACES ±0.5 1 DECIMAL PLACE ±0.2 2 DECIMAL PLACES ±0.1 ANGULAR ±1'	
2	29-11-02	E8178	600-66810 was 600-42760	JFD					DIMENSIONS ARE IN M.M.		
1	18-3-98	E3036	ED-2768-01 1off NOW AND ADDED ED-2768-10	MM	DRAWN J.DRIVER	31/03/95	SHEET OF		DRAWING NUMBER 316-21950		
REV.ISS.	DATE	C.N.	ALTERATION	CHECKED	APPROVED	Leicester  England		THIS DRAWING IS THE PROPERTY OF NEWALL MEASUREMENT SYSTEMS LIMITED. THE INFORMATION THEREON MAY NOT BE COPIED OR USED WITHOUT WRITTEN PERMISSION		REV. ISS. 2	