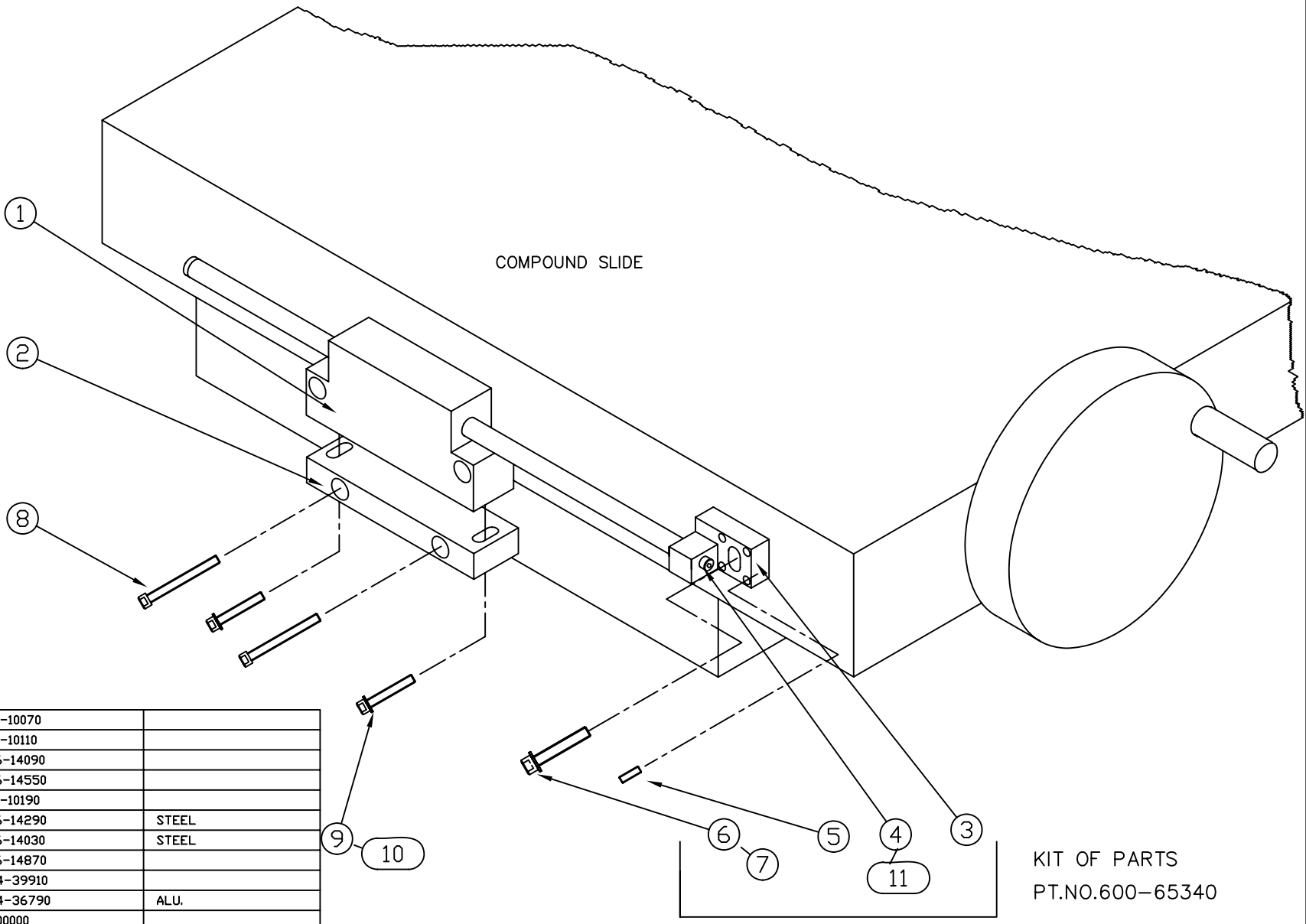


Lathe Kit

Compound Slide (Microsyn)


600-65560

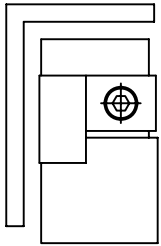
Drawings
316-24640
316-24450



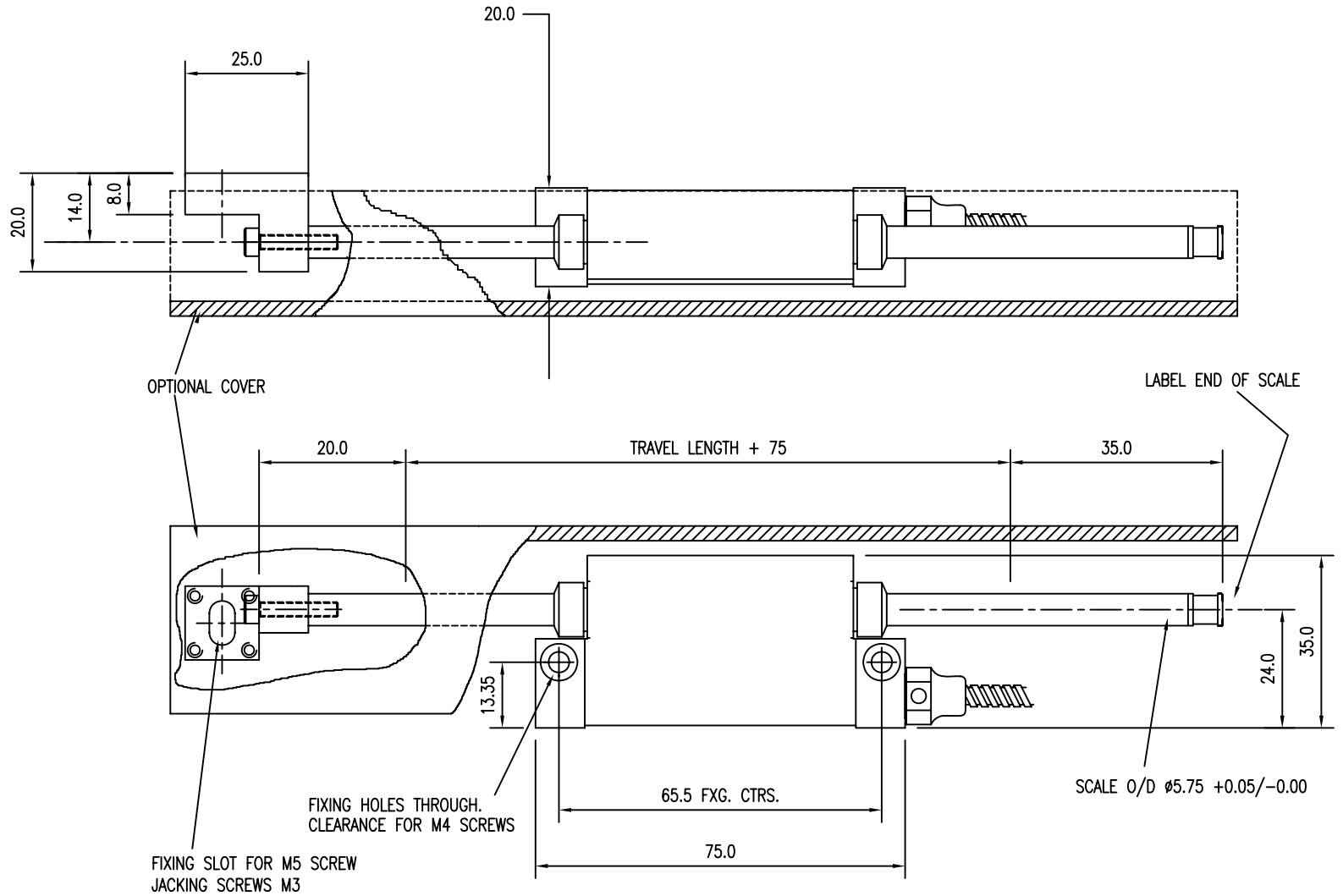
KIT OF PARTS
PT.NO.600-65340

ITEM	DESCRIPTION	QTY	PART.ND.	SPEC.
11	M3 S/COIL WASHER	1	104-10070	
10	M4 FLAT WASHER	2	104-10110	
9	M4x20 CAP HD SCREW	2	086-14090	
8	M4x25 CAP HD SCREW	2	086-14550	
7	M5 FLAT WASHER	1	104-10190	
6	M5x16 CAP HD SCREW	1	086-14290	STEEL
5	M3x8 SKT GRUB SCREW	4	086-14030	STEEL
4	M3x16 CAP HD SCREW	1	086-14870	
3	SINGLE END MTG.	1	294-39910	
2	HEAD MTG.PLATE	1	294-36790	ALU.
1	MICROSYN TRANSDUCER	1	MH00000	

TITLE. LATHE-COMPOUND SLIDE MICROSYN MK2 INSTALLATION		MATERIAL/FINISH.		SCALE nts	UNLESS OTHERWISE TOLERANCES:- 0 DECIMAL PLACES ±0.5 STATED:- 1 DECIMAL PLACE ±0.2 DIMENSIONS ARE IN M.M. 2 DECIMAL PLACES ±0.1 ANGULAR ±1'
REV. ISS.	DATE	C.N.	ALTERATION	DRAWN M.MISTRY 28/8/98	 <p>THIS DRAWING IS THE PROPERTY OF NEWALL MEASUREMENT SYSTEMS LIMITED. THE INFORMATION THEREON MAY NOT BE COPIED OR USED WITHOUT WRITTEN PERMISSION</p>
CHECKED				APPROVED	



ALTERNATIVE COVER MOUNTING POSITION



NOTE:- MAXIMUM OVERALL SCALE LENGTH 250mm

				TITLE: <i>MICROSYN MK2 SCALE END MOUNTING</i>		MATERIAL FINISH: _____		SCALE: 1=1		UNLESS OTHERWISE STATED:- DIMENSIONS ARE IN M.M.		TOLERANCES:- 0 DECIMAL PLACES ±0.5 1 DECIMAL PLACE ±0.2 2 DECIMAL PLACES ±0.1 ANGULAR ±1°	
1	ECN8143	9-7-02	NEW LABEL ADDED	CW	DRAWN M.MISTRY	8/7/98	 newall Leicester England		SHEET 1 of 1		DRAWING NUMBER 316-24450		REV. ISS. 1

THIS DRAWING IS THE PROPERTY OF NEWALL MEASUREMENT SYSTEMS LIMITED. THE INFORMATION THEREON MAY NOT BE COPIED OR USED WITHOUT WRITTEN PERMISSION